

# Load Tap Changer & Oil Circuit Breaker Components

Waukesha® Components is a leader in the supply of aftermarket components for load tap changers (LTCs), oil circuit breakers and air switch disconnects. Previously known as High Voltage Supply, the company has a record of providing superior customer service and maintaining an extensive inventory of contacts, repair kits and typical wear parts legacy branded as HVS®.

## LTC EXPERTISE

Waukesha® Components offers an extensive selection of make/model replacement contacts and contact kits for most major and obsolete load tap changers.

In addition to standard OEM quality contacts, we offer a line of advanced design contacts, called ELR®, for longer life with less maintenance.

ELR® series contacts eliminate heating and carbon buildup. An inlay of a proprietary material where both movable and stationary contacts interface is the principal element of the ELR® design. In use since 1988, this technology has proven 100% reliable under heavy load conditions. Additional benefits of this design include:

- Results in higher current and lower operating temperatures
- Eliminates coking
- Does not require periodic operation through neutral to maintain cleanliness of reversing switch contacts
- Allows extended maintenance intervals due to longer contact life
- Improves overall tap changer reliability



ELR® Series Contacts

LTC brands we support include Mitsubishi, Westinghouse, Moloney, GE, ABB, FPE, Ferranti, Reinhausen, Siemens-Allis and McGraw-Edison.

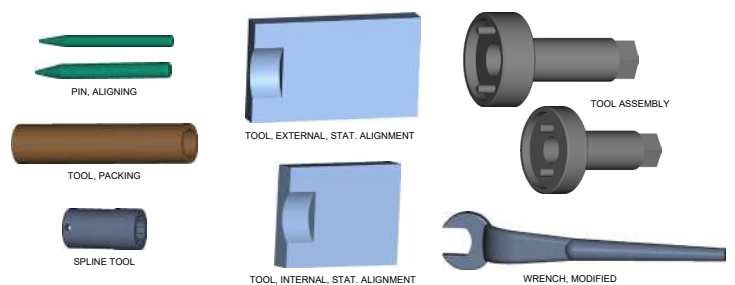
We offer a comprehensive stock of aftermarket contacts that consistently meet or exceed performance specifications of a full range of original equipment manufacturers, both domestic and international.

In addition to LTC contacts, we provide a variety of “non-standard” components, such as LTC tool kits, barrier boards, taphead castings, gasket kits and drive shafts.



## LTC TOOL KITS

Unique maintenance tool kits help provide for faster, easier servicing of load tap changers. Each kit contains custom tools specific to a given LTC make/model along with instructions to aid in installation, calibration and adjustment of replacement contacts.



We currently offer tool kits designed specifically for use on the following LTC brands:

- Waukesha® UZD®
- FPE TC-546
- FPE TC-525, TC-23
- McGraw 550, 550B, 550C
- GE LRT 200 Series



Replacement parts extend the life of obsolete assets.

Complete kits to rebuild assets.



## OIL CIRCUIT BREAKER KITS

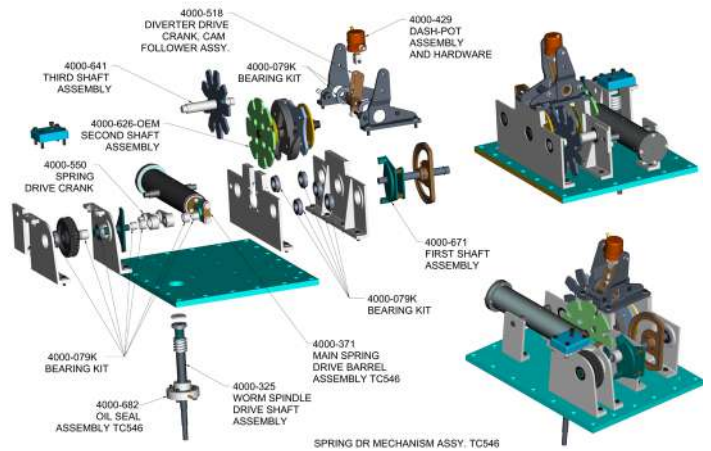
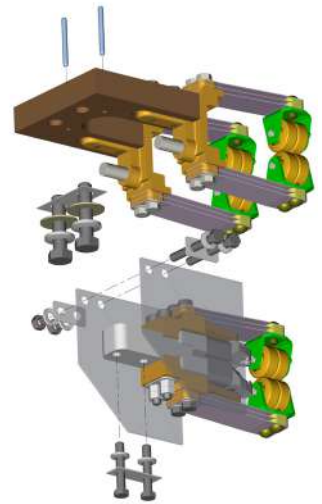
Oil circuit breaker maintenance kits include components that wear down as a result of exposure to electrical arc and mechanical wear. Waukesha® Components offers a variety of lift rods, interrupter housings, bushing adapter assemblies, crossarms and mechanism bearing replacement kits.

In addition to OEM quality parts, our ability to specify high performance materials for arc chutes and interrupter assemblies allows for superior arc resistance and lower water absorption, making our advanced arc chute materials more stable and less susceptible to warping or swelling than traditional OEM components.

## COMPONENTS CATALOGS

Waukesha® Components has an expert staff to help you identify and source the correct parts to maintain your equipment. We also have online, dynamic components catalogs to allow you to search for LTC and oil circuit breaker parts as well as Transformer Health Products®. Search by brand and model number to retrieve 3D model drawings for your equipment.

Our system provides access to top level assemblies, sub-assemblies and individual components. Exploded 3D drawings help make part identification and correct ordering of parts or assemblies easy as they identify parts by name and part number.



## PARTNERSHIP VALUE

Capital budgets run thin. O&M budgets face pressure from rising costs and organizational desire to reduce spend. Prolec GE Waukesha helps you stretch your budget by providing better-than-original solutions that can lengthen duty cycles and reduce maintenance spend. We serve as an extension of your organization's capabilities, providing resources to help maximize your budgets and reduce the burden on your internal engineering and maintenance resources.

**Contact us for more information. To download an order form, technical manual, field maintenance manual and/or technical paper, visit our website.**

### LOCATION

Prolec-GE Waukesha, Inc.  
 9011 Governors Row  
 Dallas, TX 75247  
 800-338-5526

[waukeshacomponents.com](http://waukeshacomponents.com)